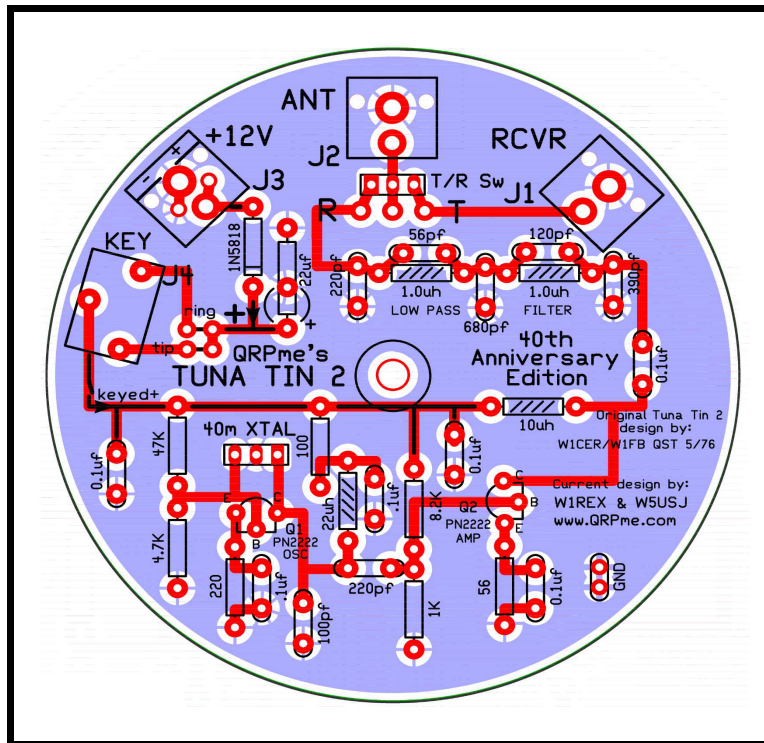


QRPme Tuna Tin 2 40th Anniversary Edition



Bill of Materials

RESISTORS

56 ohm (GRN-BLU-BLK)
100 ohm (BRN-BLK-BRN)
220 ohm (RED-RED-BRN)
1K ohm (BRN-BLK-RED)
4.7K ohm (YEL-VIO-RED)
8.2K ohm (GRY-RED-RED)
47K ohm (YEL-VIO-ORG)

INDUCTORS

1 uh (BRN-BLK-GOLD) QTY=2
10 uh (BRN-BLK-BLK)
22 uh (RED-RED-BLK)

SEMICONDUCTORS

1N5818 DIODE
PN2222 TRANSISTOR QTY=2

CAPACITORS

56 pf (560)
100 pf (101)
120 pf (121)
220 pf (221) QTY=2
390 pf (391)
680 pf (681)
.1 uf (104) QTY=6
22 uf electrolytic (22)

MISCELLANEOUS

1x3x.1" SIP SOCKET
STEREO JACK
RCA JACK QTY=3
40m CRYSTAL
SPDT SUBMINIATURE SWITCH
6-32x2" BOLT & NUT